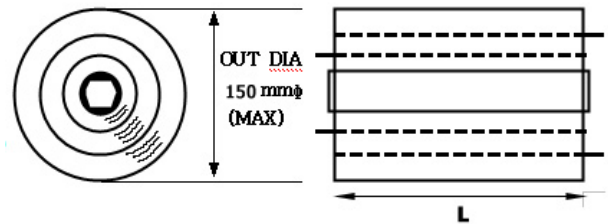


# KS-984A

Automatic Winding Machine For Ac Film Capacitor  
(Plastic Core / Paper Core)



Element Size

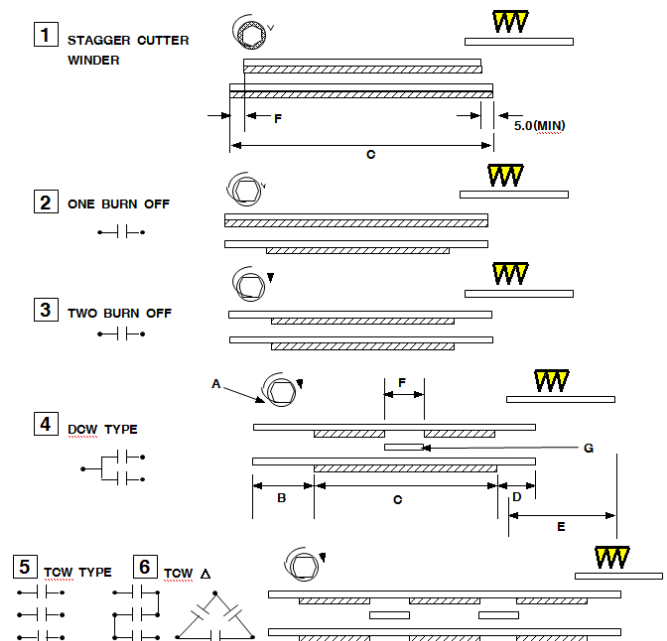


D 20mmØ(Min) ~ 150mmØ(Max)  
L (Single) 31mm(Min) ~ 158mm(Max)  
(Twin) 31mm(Min) ~ 79mm(Max)

### Main Features

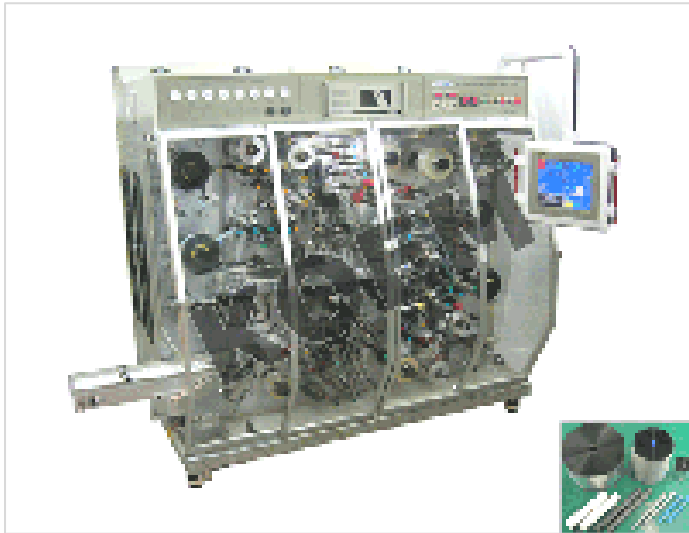
- ✧ In-built computer system.
- ✧ Automatic tension control
- ✧ One touch auto clamping system
- ✧ Bigger winding element upto OD 150mm
- ✧ Bigger reeled material upto OD 350mm
- ✧ Residual raw material sensor
- ✧ Plastic stiff core type : OD 9 mm / to 42 mm
- paper core type : OD 20 mm / to 30 mm
- ✧ DCW/TCW

### Winding Flow Chart

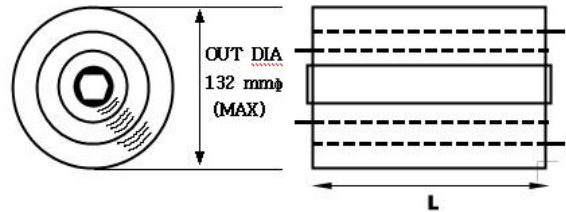


# KS-983A

## Automatic Winding Machine For Ac Film Capacitor (Plastic Core)



### Element Size

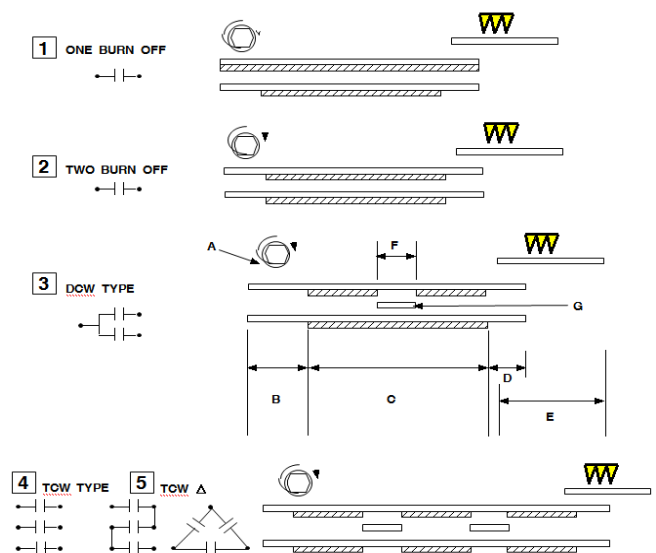


- D 20mmØ(Min) ~ 132mmØ(Max)
- L (Single) 31mm(Min)~158mm(Max)
- (Twin) 31mm(Min) ~79mm(Max)

### Main Features

- ✧ In-built computer system
- ✧ Automatic tension control
- ✧ Bigger winding element upto O.D 132mm
- ✧ Bigger reeled material upto O.D 350mm
- ✧ Residual raw material sensor
- ✧ Plastic stiff core type : O.D 9 mm / to 28 mm
- ✧ DCW/TCW Winding System

### Winding Flow Chart

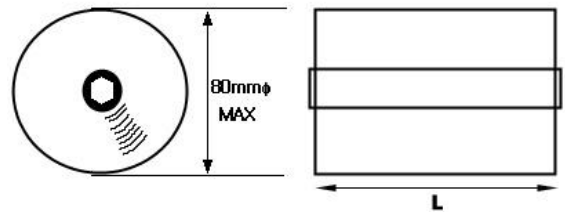


# KS-953A

## Automatic Winding Machine For Ac Film Capacitor (Plastic Core)



### Element Size

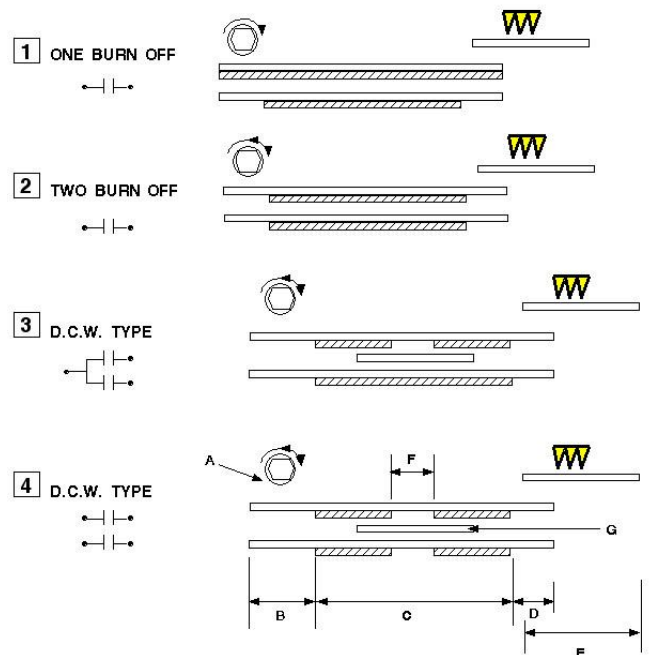


- D 15mmØ(Min)~80mmØ(Max)  
 L (Single) 25mm(Min)~158mm(Max)  
 (Twin) 25mm(Min) ~79mm(Max)

### Main Features

- ✧ In-Built Computer System
- ✧ Automatic Tension Control
- ✧ One Touch Auto Clamping System
- ✧ Bigger Reeled Material Upto 350mm O.D
- ✧ Residual Raw Material Sensor
- ✧ Plastic Core Type
- ✧ DCW Winding System

### Winding Flow Chart

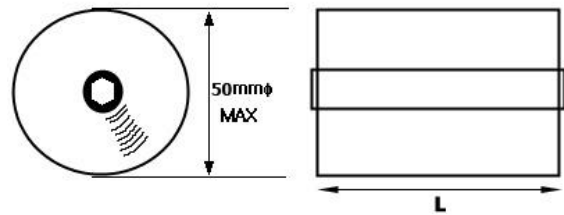


# KS-933A

## Automatic Winding Machine For Ac Film Capacitor (Plastic Core)



### Element Size

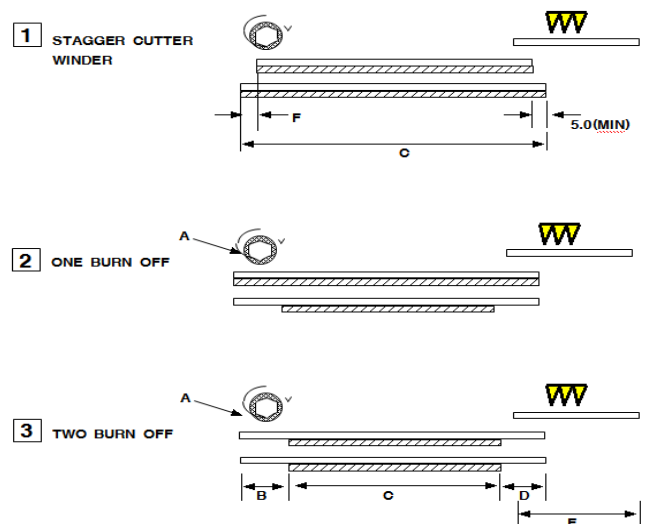


D 15mm $\phi$ (Min) ~ 50mm $\phi$ (Max)  
L 21mm(Min) ~ 62mm(Max)

### Main Features

- ✧ In-Built Computer System.
- ✧ Automatic Tension Control
- ✧ One Touch Auto Clamping System
- ✧ Bigger Reeled Material Upto 350mm O.D
- ✧ Residual Raw Material Sensor
- ✧ Plastic Core Type
- ✧ Double Winding System
- ✧ High Speed Winding - 15000RPM
- ✧ M.F Burn Off Winding Or Stagger Cutter Winding

### Winding Flow Chart

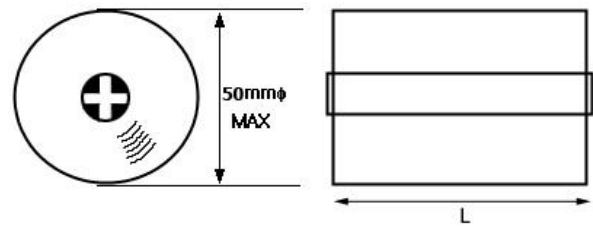


# KS-933AH

Automatic Winding Machine For Ac Film Capacitor  
(Plastic Solid Core)



Element Size

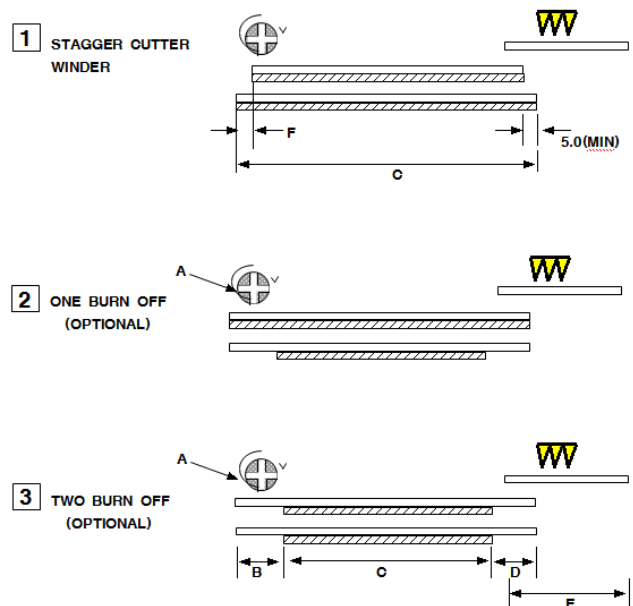


D 15mmØ(Min) ~ 50mmØ(Max)  
L (Double)21mm(Min) ~ 52mm(Max)

Main Features

- ✧ In-built computer system.
- ✧ Automatic tension control
- ✧ One touch auto clamping system
- ✧ Bigger reeled material upto od 350mm
- ✧ Residual raw material sensor
- ✧ M.F Burn off Winding or Stagger Cutter Winding
- ✧ Plastic Solid Core

Winding Flow Chart

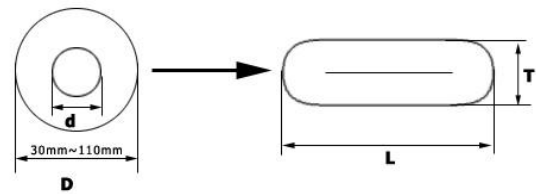


# KS-928AH

Automatic Winding Machine For Power Film Capacitor  
(Flat Type-Turret 2 Mandrel System)



## Element Size

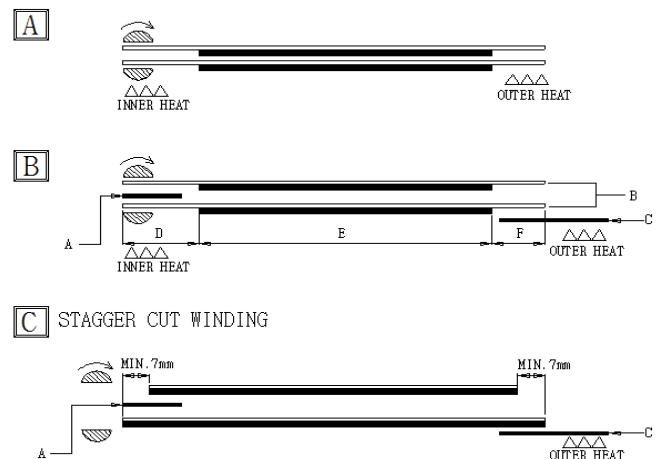


D 30mmØ(Min) ~ 110mmØ(Max)  
L 52mm(Min) ~ 162mm(Max)

## Main Features

- ✧ In-built computer system.
- ✧ Automatic tension control
- ✧ One touch auto clamping system
- ✧ Residual raw material sensor
- ✧ Mandrel dia : 40~110mmφ
- ✧ Non-touch following roller
- ✧ M.F. burn-off winding or stagger cutter winding
- ✧ Flat type (pre-pressing)

## Winding Flow Chart



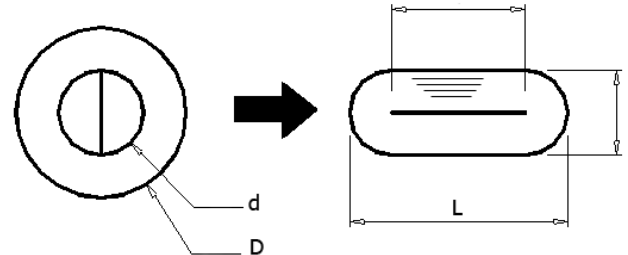
# KS-872MA

Automatic Winding Machine for Film Capacitor  
(Flat Type-Turret 2 Mandrel System)



## Element Size

### Pre-Press System



D 40Ømm(Min) ~ 50Ømm(Max)

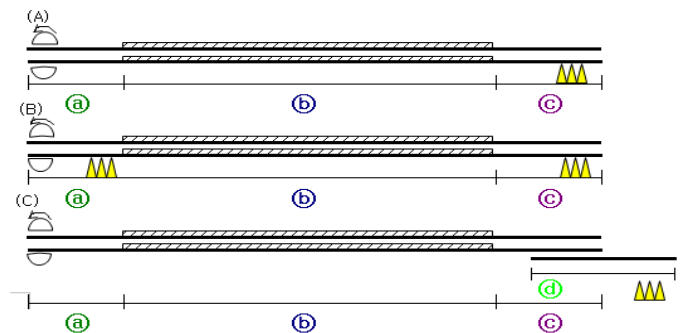
L (Single) 21mm(Min)~ 82mm(Max)

(Double) 21mm(Min) ~ 52.5mm(Max)

## Main Features

- ✧ In-Built Computer System
- ✧ Automatic Tension Control
- ✧ One Touch Auto Clamping System
- ✧ Bigger Reeled Material Upto 330mm O.D. Reels
- ✧ Residual Raw Material Sensor
- ✧ Heating Smoke & Gas Suction System
- ✧ Pre-Press System

## Winding Flow Chart



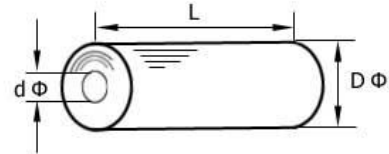


# KS-312MA/512MA/622MA

Automatic Production Line Of Film Capacitor



## Element Size

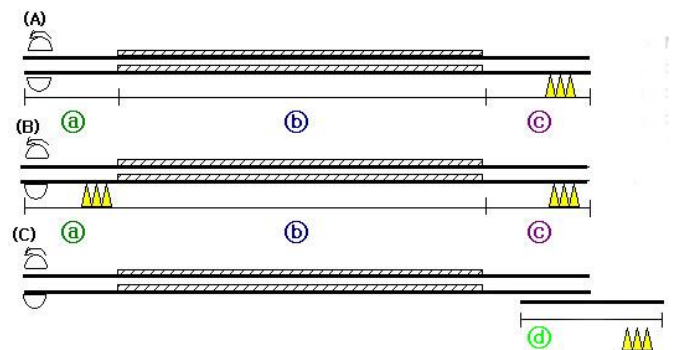


	KS-312MA	KS-512MA	KS-622MA
d	2.0~6.0Ømm	2.0~8.0Ømm	2.5~8.0Ømm
D	20Ømm	25Ømm	28Ømm
L	(S)10~30mm (D)7.0~15mm	(S)10~50mm (D)9~25mm	(S)10~61mm (D)10~30mm

## Main Features

- ◇ In-built computer system
- ◇ Automatic tension control
- ◇ One touch auto clamping system
- ◇ Material upto 200/ 250mm O.D reels
- ◇ Heating smoke & gas suction system

## Winding Flow Chart





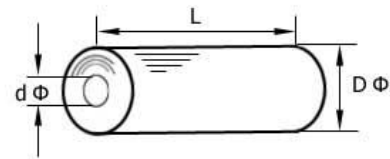
# KS-512A/612A

Automatic Winding Machine  
For Film Foil Capacitor, Non-Inductive



- This machine is designed for non-inductive film winding, automatically. It can wind a elements each cycle by using 5 reels of AL FOIL and PLAIN FILM, respectively.

### Element Size



	KS-512A	KS-612A
d	2.0~5.0Ømm	2.5~5.0Ømm
D	20~25Ømm	23~35Ømm
L	(S)8~25mm (D)8~50mm	(S)10~60mm (D)10~30mm

### Main Features

- ✧ In-Built Computer System TFT 10.4" LCD Color Monitor
- ✧ Automatic Tension Control System
- ✧ One Touch Auto Clamping System
- ✧ Heating Smoke & Gas Suction System
- ✧ Capacitance Winding Function & Cap Checker - Option Function

### Winding Flow Chart

