



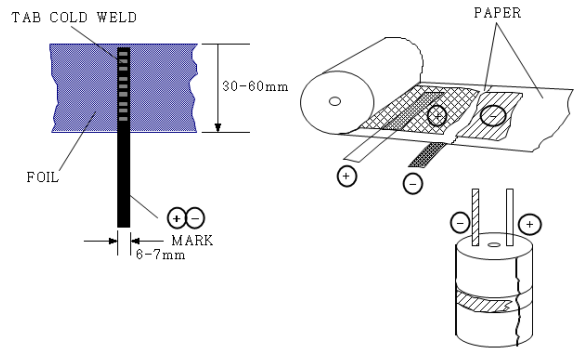
AUTOMATIC PRODUCT LINE OF ELECTROLYTIC FOR CAPACITOR

KS-1208A

Automatic Winding Machine
For Aluminum Electrolytic Capacitor



Element Size

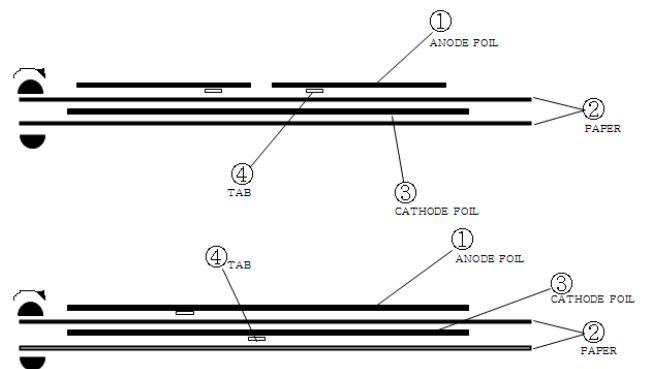


D 16φmm(Min) ~ 50φmm(Max)
L 24mm(Min) ~ 94mm(Max)

Main Features

- ❖ Industrial computer system
- ❖ Automatic tension control
- ❖ One touch auto clamping system
- ❖ Max O.D 400mm al-foil(main winding film)
- ❖ Residual material sensing system
- ❖ Convenient 'winding off-set margin adjustment' upto 0.5mm
- ❖ Cold welding
- ❖ E.P.C.(Edge Position Control)

Winding Flow Chart

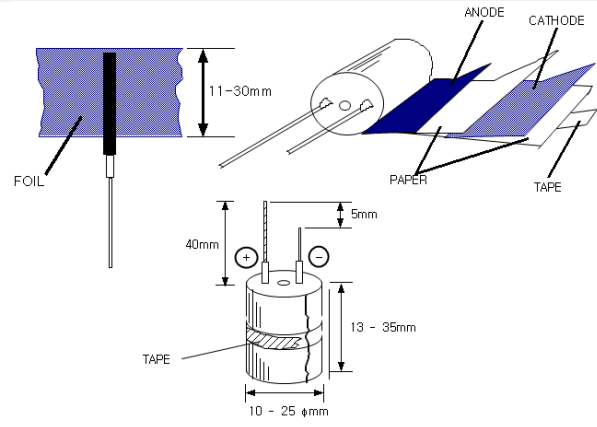


KS-1206B

Automatic Stitching & Winding Machine
For Radial Type Electrolytic Capacitors



Element Size



- D 8φmm(Min) ~ 25φmm(Max)
- L 11mm(Min) ~ 35mm(Max)

Main Features

- ✧ Industrial computer system
- ✧ Automatic tension control
- ✧ One touch auto clamping system
- ✧ Max O.D 400mm al -foil (main winding film)
- ✧ Residual material sensing system
- ✧ Convenient 'winding off-set margin adjustment' upto 0.5mm

Winding Flow Chart

